



HINGE
SERIES

PUSH
LATCHES

PUSH LATCHES

DTC mechanical and magnetic push-open door latches

Door Opens by a Finger



- DTC provides a series of mechanical and magnetic push-open door latches in various styles, meeting different needs of furniture designs.
- The appearance of a non-handle furniture and the push-open function deliver a fresh experience and more convenience to users.



Quietness



Intelligence



Durability



Eco-Friendliness

PUSH LATCH

MS Series Push Latch



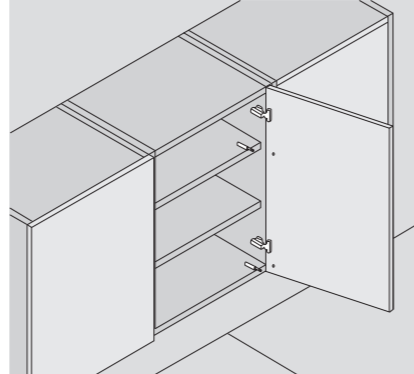
PRODUCT



DESCRIPTION

- Adjustable MS magnetic push latch to work with unsprung hinge

APPLICATION



ORDER INFORMATION

Magnetic Push Latch with Inline Fixing Plate

Application

Push Length	Item No.	Set/ctn
M=39.7	MS-B01A	200
M=19.7	MS-B01	200

Magnetic Push Latch with Cross Fixing Plate

Application

Push Length	Item No.	Set/ctn
M=39.7	MS-B03A	200
M=19.7	MS-B03	200

Bumper Push Latch with Inline Fixing Plate

Application

Push Length	Item No.	Set/ctn
M=39.7	MS-B02A	200
M=19.7	MS-B02	200

Bumper Push Latch with Cross Fixing Plate

Application

Push Length	Item No.	Set/ctn
M=39.7	MS-B04A	200
M=19.7	MS-B04	200

Built-in Magnetic Push Latch with Inline Fixing Plate

Application

Push Length	Item No.	Set/ctn
M=34.9	MS-A011A	200

Built-in Bumper Push Latch with Inline Fixing Plate

Application

Push Length	Item No.	Set/ctn
M=34.9	MS-A021A	200

We are continuously developing new products.
For updated product information, please log onto www.dtcctc.com